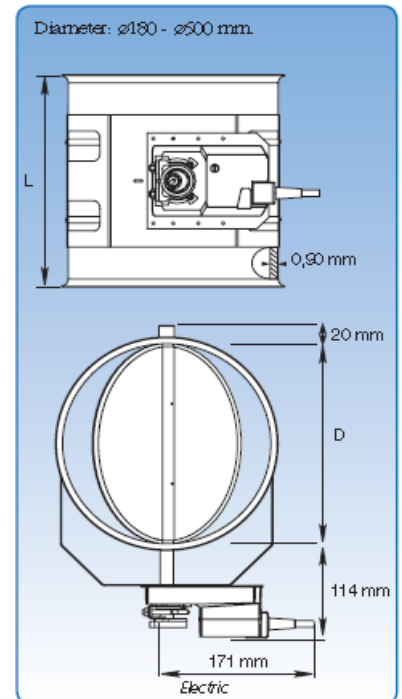
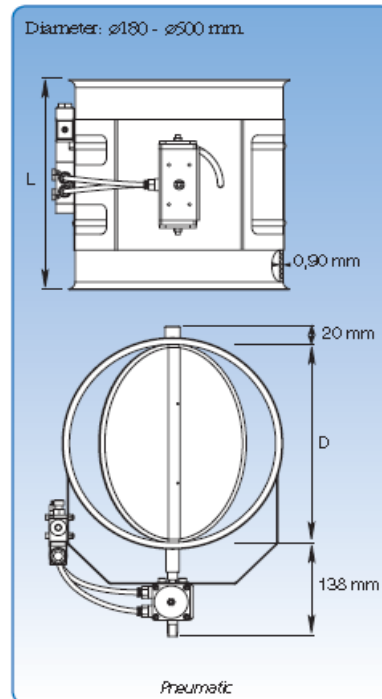
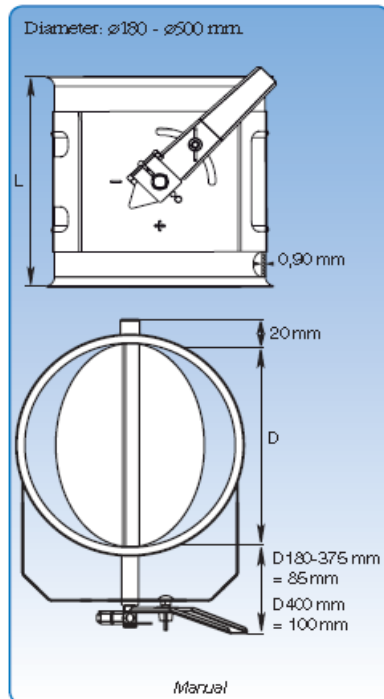




## Galvanised Butterfly Valve Manual / Pneumatic / Electric



### General

ADS's Butterfly Valves are made of 0.90mm sheet metal and the blade in 2mm. Valve handle Indicates damper position, and can be variably set between open & closed. Available with natural rubber gasket (sealed version).  
Max closure 96%.

**With Pneumatic Actuator** The damper is turned by a pneumatic actuator controlled by an electrically operated valve.

Solenoid valve: monostable 5/2 valve with 1 x 230V AC 50/60Hz electric coil or 24V DC. Pneumatic pressure: 4-6bar  
Valve setting indicators are available as an optional extra

### With Electric Actuator

The damper is operated by an electric motor activated by a changeover switch. Valve setting indicators are available as an optional extra.

Electrical connection: 230V AC-50HZ or 24V DC

### Dimensional Specifications

D mm	Part # Manual	Part # Pneu.	Part # Electric	L mm	Weight (Man.) mm	Weight (Pneu.) mm	Weight (Elec.) mm
180	GBVM180	GBVP180	GBVET180	210	1.90	2.85	3.55
200	GBVM200	GBVP200	GBVET200	210	2.20	3.15	3.85
225	GBVM225	GBVP225	GBVET225	240	2.55	3.60	4.20
250	GBVM250	GBVP250	GBVET250	265	3.05	4.00	5.05
275	GBVM275	GBVP275	GBVET275	290	3.50	4.50	5.50
300	GBVM300	GBVP300	GBVET300	315	4.30	5.20	6.30
315	GBVM315	GBVP315	GBVET315	330	4.30	5.50	6.50
350	GBVM350	GBVP350	GBVET350	365.00	4.77	6.30	7.15
400	GBVM400	GBVP400	GBVET400	415.00	5.50	7.60	9.10
450	GBVM450	GBVP450	GBVET450	465.00	6.10	9.30	9.70
500	GBVM500	GBVP500	GBVET500	515.00	13.10	11.03	11.45



3/11 Cooper Street, Campbellfield, Melbourne VIC 3061

Phone: 03 8339 0894 Fax: 03 8339 0871

E-mail: [vicsales@adsduct.com.au](mailto:vicsales@adsduct.com.au)

1/595 Woodstock Avenue, Glendenning, Sydney NSW 2761

Phone: 02 9675 4546 Fax: 02 9675 4570

E-mail: [nswsales@adsduct.com.au](mailto:nswsales@adsduct.com.au)

Web Site: [www.ductsystems.com.au](http://www.ductsystems.com.au)

1300 DUCT4U (1300 38 28 48)

