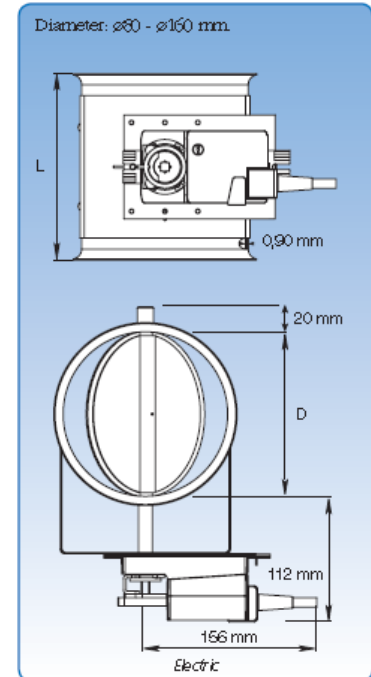
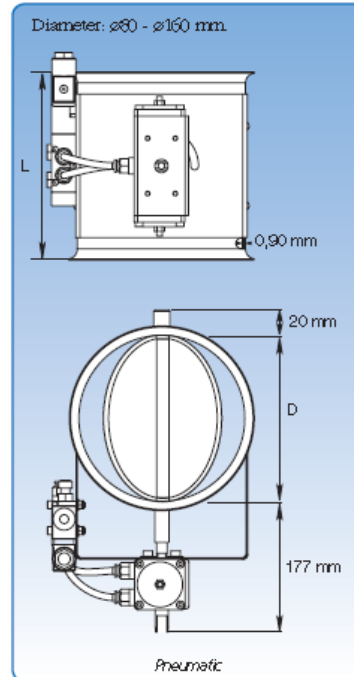
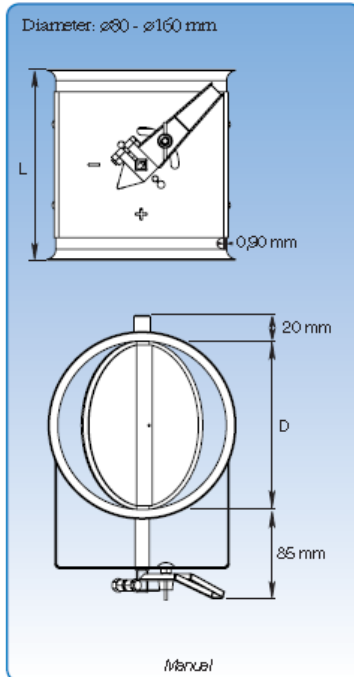




Galvanised Butterfly Valve Manual / Pneumatic / Electric



General

ADS's Butterfly Valves are made of 0.90mm sheet metal and the blade in 2mm. Valve handle indicates damper position, and can be variably set between open & closed. Available with natural rubber gasket (sealed version). Max closure 96%.

With Pneumatic Actuator

The damper is turned by a pneumatic actuator controlled by an electrically operated valve. Solenoid valve: monostable 5/2 valve with 1 x 230V AC 50/60Hz electric coil or 24V DC. Pneumatic pressure: 4-6bar. Valve setting indicators are available as an optional extra.

With Electric Actuator

The damper is operated by an electric motor activated by a changeover switch. Valve setting indicators are available as an optional extra.

Electrical connection: 230V AC-50HZ or 24V DC

Dimensional Specifications

D mm	Part # Manual	Part # Pneu.	Part # Electric	L mm	Weight (Man.) mm	Weight (Pneu.) mm	Weight (Elec.) mm
80	GBVM080	GBVP080	GBVET080	125	0.65	1.90	1.60
100	GBVM100	GBVP100	GBVET100	125	0.75	2.00	1.70
120	GBVM120	GBVP120	GBVET120	135	0.90	2.15	1.85
125	GBVM125	GBVP125	GBVET125	135	0.95	2.20	1.90
140	GBVM140	GBVP140	GBVET140	170	1.15	2.40	2.10
150	GBVM150	GBVP150	GBVET150	170	1.25	2.50	2.20
160	GBVM160	GBVP160	GBVET160	170	1.35	2.60	2.30



3/11 Cooper Street, Campbellfield, Melbourne VIC 3061

Phone: 03 8339 0894 Fax: 03 8339 0871

E-mail: vicsales@adsduct.com.au

1/595 Woodstock Avenue, Glendenning, Sydney NSW 2761

Phone: 02 9675 4546 Fax: 02 9675 4570

E-mail: nswsales@adsduct.com.au

Web Site: www.ductsystems.com.au

1300 DUCT4U (1300 38 28 48)

