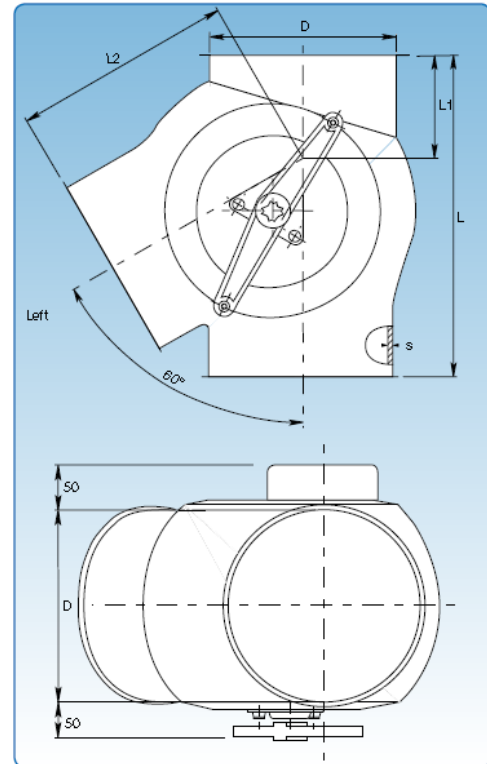




Diverter Valve Branch Manual

ADS's Branch Diverters, welded, are designed for falling and forced direction transport. Pressed diverters are made of 1.50-2.00mm sheet metal with a standard 2.00mm damper suspended on brass bearings.



Dimensional Specifications

D	Part #	s	L	L1	L2	Weight
mm		mm	mm	mm	mm	kg
100	DVBM100	1.50	210	70	145	2.20
125	DVBM125	1.50	260	90	170	4.00
150	DVBM150	2.00	290	100	190	5.70
160	DVBM160	2.00	320	95	225	6.10
180	DVBM180	2.00	510	195	315	11.00
200	DVBM200	2.00	345	110	230	8.30
250	DVBM250	2.00	415	135	270	13.10
300	DVBM300	2.00	475	160	325	19.30



3/11 Cooper Street, Campbellfield, Melbourne VIC 3061

Phone: 03 8339 0894 Fax: 03 8339 0871

E-mail: vicsales@adsduct.com.au

1/595 Woodstock Avenue, Glendenning, Sydney NSW 2761

Phone: 02 9675 4546 Fax: 02 9675 4570

E-mail: nswsales@adsduct.com.au

Web Site: www.ductsystems.com.au

1300 DUCT4U (1300 38 28 48)

