



Diverter Valve Trouser Manual/Pneumatic/Electric

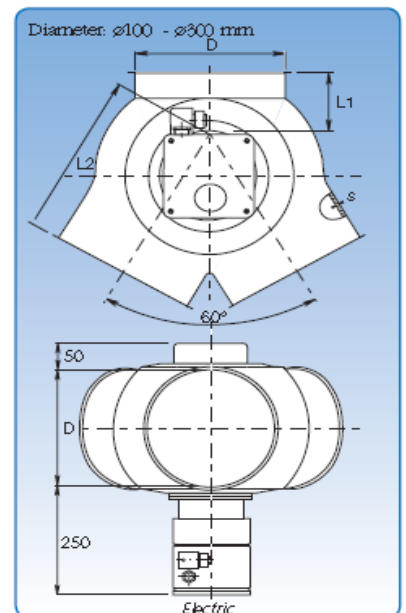
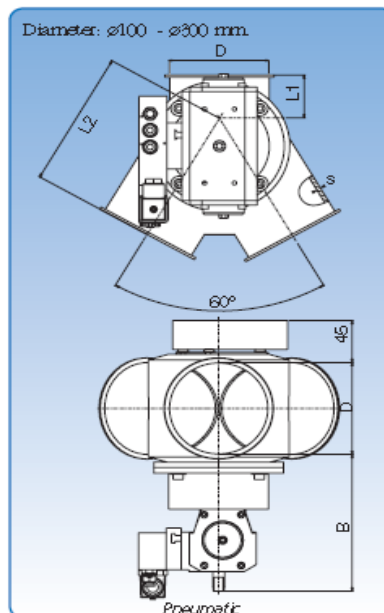
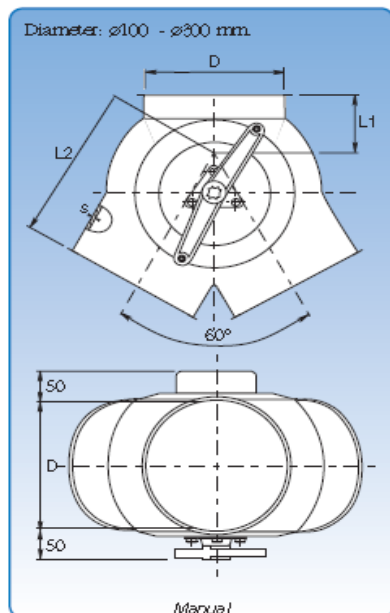
ADS's Trouser Diverter, welded, are designed for falling and forced direction transport. Pressed diverters are made of 1.50-2.00mm sheet metal with a standard 2.00mm damper suspended on brass bearings.

With Pneumatic Actuator

The damper is turned by a pneumatic actuator controlled by an electrically operated valve. Solenoid valve: monostable 5/2 valve with 1 x 230V AC-50/60 Hz electric coil or 24V DC. Pneumatic pressure 4-6 Bar

With Electric Actuator

The damper is operated by an electric motor activated by a changeover switch. Power supply: 230V AC-50Hz or 240V DC. Switch box with damper setting indicators supplied as standard.



Dimensional Specifications

D	Part #	Part #	Part #	s	B	L1	L2	Weight Manual	Weight Pneu.	Weight Electric
mm	Manual	Pneu.	Electric	mm	mm	mm	mm	mm	kg	kg
100	DVTM100	DVTP100	DVTE100	1.50	145	70	145	2.0	5.0	6.7
125	DVTM125	DVTP125	DVTE125	1.50	145	160	240	4.7	7.8	9.4
150	DVTM150	DVTP150	DVTE150	2.00	145	100	190	5.6	8.8	10.5
160	DVTM160	DVTP160	DVTE160	2.00	145	95	225	5.6	8.5	10.3
180	DVTM180	DVTP180	DVTE180	2.00	145	195	315	10.6	13.7	15.3
200	DVTM200	DVTP200	DVTE200	2.00	145	110	230	7.9	10.9	12.6
250	DVTM250	DVTP250	DVTE250	2.00	185	135	270	12.5	15.5	17.3
300	DVTM300	DVTP300	DVTE300	2.00	185	160	325	18.3	21.3	23.1



3/11 Cooper Street, Campbellfield, Melbourne VIC 3061

Phone: 03 8339 0894 Fax: 03 8339 0871

E-mail: vicsales@adsduct.com.au

1/595 Woodstock Avenue, Glendenning, Sydney NSW 2761

Phone: 02 9675 4546 Fax: 02 9675 4570

E-mail: nswsales@adsduct.com.au

Web Site: www.ductsystems.com.au

1300 DUCT4U (1300 38 28 48)

