

Advanced Duct Systems

Because Quality Matters

ABN: 15137674750

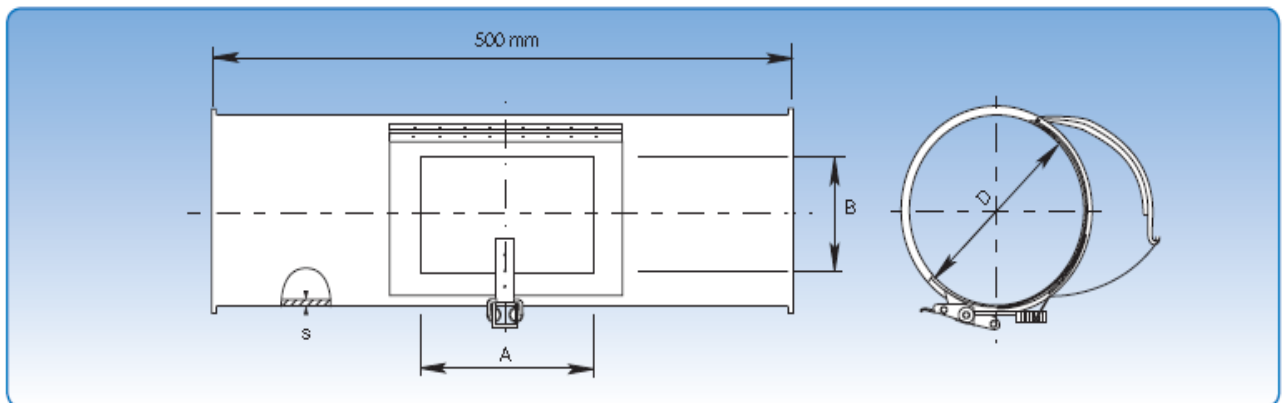


Galvanised Duct With Access Door

ADS's Ducts with Access Door are made of 1.25mm galvanised sheet metal, such that the inside is smooth and has a close fit.

Perfect for inspection of a duct run or for cleaning.

Diameter: 80-1000mm



Dimensional Specifications

D	Part #	s	B x A	Weight
mm		mm	mm	kg
80	DWAD080	0.9	80 x 150	0.80
100	DWAD100	0.9	100 x 150	1.00
125	DWAD125	0.9	100 x 150	1.25
140	DWAD140	0.9	100 x 150	1.40
150	DWAD150	0.9	100 x 150	1.50
160	DWAD160	0.9	100 x 150	1.60
180	DWAD180	0.9	100 x 150	1.75
200	DWAD200	0.9	100 x 150	2.00
225	DWAD225	0.9	100 x 150	2.25
250	DWAD250	0.9	100 x 150	2.50
275	DWAD275	0.9	100 x 150	2.65
300	DWAD300	0.9	100 x 150	2.85
350	DWAD350	0.9	150 x 200	3.25
400	DWAD400	0.9	150 x 200	4.50
450	DWAD450	0.9	150 x 200	5.15
500	DWAD500	0.9	150 x 200	5.70

Ducts with dimensions other than those listed are available upon request.



3/11 Cooper Street, Campbellfield, Melbourne VIC 3061

Phone: 03 8339 0894 Fax: 03 8339 0871

E-mail: vicsales@adsduct.com.au

1/595 Woodstock Avenue, Glendenning, Sydney NSW 2761

Phone: 02 9675 4546 Fax: 02 9675 4570

E-mail: nswsales@adsduct.com.au

Web Site: www.ductsystems.com.au

1300 DUCT4U (1300 38 28 48)

