



Galvanised Pull Ring / Wide Pull Ring

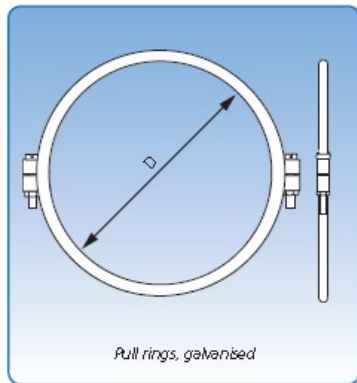
ADS's Galvanised Pull Rings are split in two halves and electro-galvanised.

The rings are supplied in plastic bags of 10 pieces including the necessary bolts and nuts for assembly.

Extra nuts and bolts are also available.

A ring of EPDM rubber is supplied as an accessory to ensure tight connections. Available up to 300mm only. See specification sheet for more information.

Diameter: 80-500mm

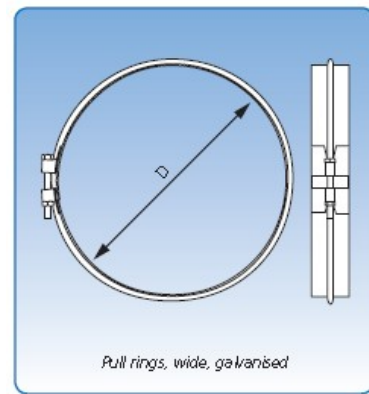


D mm	Part #	Weight / 10pcs. kg
80	GPR080	0.55
100	GPR100	0.60
120	GPR120	0.65
125	GPR125	0.70
140	GPR140	0.75
150	GPR150	0.80
160	GPR160	0.83
180	GPR180	0.85
200	GPR200	0.90
225	GPR225	0.95
250	GPR250	1.00
275	GPR275	1.05
300	GPR300	1.25
315	GPR315	1.30
325	GPR325	1.30
350	GPR350	1.35
375	GPR375	1.40
400	GPR400	1.45
450	GPR450	1.65
500	GPR500	1.90

ADS's Galvanised Wide Pull Rings are made from hot-galvanised sheet.

These items are supplied individually with nut and bolt.

Diameter: 200-800mm



D mm	Part #	Weight / pcs. kg
200	WPR200	0.25
225	WPR225	0.30
250	WPR250	0.35
275	WPR275	0.40
300	WPR300	0.45
315	WPR315	0.47
325	WPR325	0.49
350	WPR350	0.50
375	WPR375	0.53
400	WPR400	0.55
450	WPR450	0.60
500	WPR500	0.65
550	WPR550	0.70
600	WPR600	0.75
630	WPR630	0.78
650	WPR650	0.80
700	WPR700	0.86
750	WPR750	0.90
800	WPR800	0.98

Lock Rings with dimensions other than those listed are available upon request.



3/11 Cooper Street, Campbellfield, Melbourne VIC 3061

Phone: 03 8339 0894 Fax: 03 8339 0871

E-mail: vic-sales@adsduct.com.au

1/595 Woodstock Avenue, Glendenning, Sydney NSW 2761

Phone: 02 9675 4546 Fax: 02 9675 4570

E-mail: nsw-sales@adsduct.com.au

Web Site: www.ductsystems.com.au

1300 DUCT4U (1300 38 28 48)

