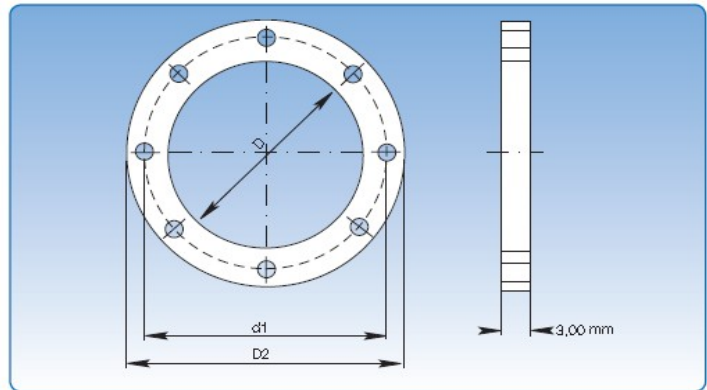




# Galvanised Flat Bar Flanges

ADS's Flat Bar Flanges are made in a hot dip galvanised finish, but they can also be supplied either untreated or painted.

**Diameter: 80-1250mm**



## Dimensional Specifications

Diameter	Part #	D	d1	D2	s	Width of	Size of	Number of	Weight
Nominal		mm	mm	mm	mm	Flange mm	Hole mm	Holes	kg
80	GFBF080	83	115	133	3.00	25	9	8	0.26
100	GFBF100	103	135	153	3.00	25	9	8	0.31
120	GFBF120	123	155	173	3.00	25	9	8	0.36
125	GFBF125	128	160	178	3.00	25	9	8	0.38
140	GFBF140	143	175	193	3.00	25	9	8	0.41
150	GFBF150	155	185	205	5.00	25	9	8	0.55
160	GFBF160	165	195	215	5.00	25	9	8	0.58
180	GFBF180	185	215	235	5.00	25	9	8	0.64
200	GFBF200	205	235	255	5.00	25	9	12	0.70
225	GFBF225	230	260	280	5.00	25	9	12	0.75
250	GFBF250	255	285	305	5.00	25	9	12	0.85
275	GFBF275	280	310	330	5.00	25	9	12	0.96
300	GFBF300	305	336	355	5.00	25	9	12	1.10
315	GFBF315	320	351	370	5.00	25	9	12	1.26
350	GFBF350	355	389	415	6.00	26	11	12	1.64
400	GFBF400	405	439	465	6.00	30	11	16	1.85
450	GFBF450	455	389	515	6.00	30	11	16	2.04
500	GFBF500	505	540	565	6.00	30	11	16	2.30
550	GFBF550	555	590	615	6.00	30	11	16	2.50
600	GFBF600	605	640	665	6.00	30	11	16	2.80
650	GFBF650	655	690	715	6.00	30	11	24	3.00
700	GFBF700	705	750	785	6.00	40	11	24	4.30



3/11 Cooper Street, Campbellfield, Melbourne VIC 3061

Phone: 03 8339 0894 Fax: 03 8339 0871

E-mail: [vic-sales@adsduct.com.au](mailto:vic-sales@adsduct.com.au)

1/595 Woodstock Avenue, Glendenning, Sydney NSW 2761

Phone: 02 9675 4546 Fax: 02 9675 4570

E-mail: [nsw-sales@adsduct.com.au](mailto:nsw-sales@adsduct.com.au)

Web Site: [www.ductsystems.com.au](http://www.ductsystems.com.au)

1300 DUCT4U (1300 38 28 48)

