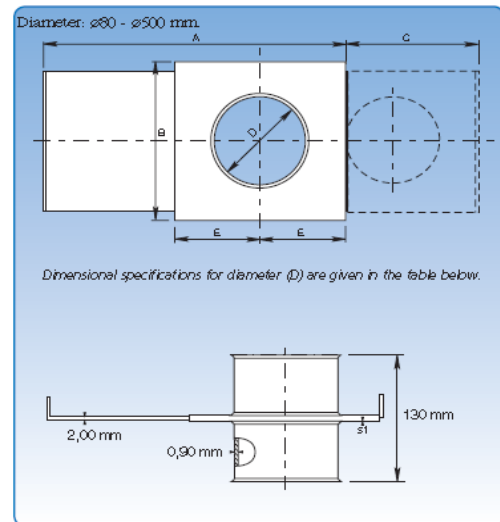


# Galvanised Slide Gate Manual

ADS's Manual Slide Gates are made from 0.9mm galvanised sheet. The damper itself is made from 2.00mm steel plate (s2)

**Diameter: 80-500mm**



## Dimensional Specifications

D	Part #	s	s1	s2	A	B	C	E	L	Weight
mm		mm	mm	mm	mm	mm	mm	mm	mm	kg
80	SGM080	0.90	1.25	2.00	255	145	105	75	130	1.10
100	SGM100	0.90	1.25	2.00	340	185	150	95	130	1.60
120	SGM120	0.90	1.25	2.00	340	185	150	95	130	1.70
125	SGM125	0.90	1.25	2.00	340	185	150	95	130	1.80
140	SGM140	0.90	1.25	2.00	405	225	175	115	130	2.40
150	SGM150	0.90	1.25	2.00	405	225	175	115	130	2.30
160	SGM160	0.90	1.25	2.00	405	225	175	115	130	2.30
180	SGM180	0.90	1.25	2.00	525	295	225	150	130	3.80
200	SGM200	0.90	1.25	2.00	525	295	225	150	130	4.00
225	SGM225	0.90	1.50	2.00	590	325	270	160	130	4.60
250	SGM250	0.90	1.50	2.00	650	350	300	175	130	5.20
275	SGM275	0.90	1.50	2.00	705	380	325	190	130	6.40
300	SGM300	0.90	1.50	2.00	755	400	345	205	130	6.50
315	SGM315	0.90	1.50	2.00	785	420	365	210	130	7.00
350	SGM350	0.90	1.50	2.00	885	450	435	200	130	7.60
400	SGM400	0.90	1.50	2.00	960	500	460	250	130	9.30
450	SGM450	0.90	1.50	2.00	1050	550	500	275	130	10.70
500	SGM500	0.90	1.50	2.00	1160	600	550	300	130	14.10

Slide Gates with dimensions other than those listed are available upon request.



3/11 Cooper Street, Campbellfield, Melbourne VIC 3061

Phone: 03 8339 0894 Fax: 03 8339 0871

E-mail: [vicsales@adsduct.com.au](mailto:vicsales@adsduct.com.au)

1/595 Woodstock Avenue, Glendenning, Sydney NSW 2761

Phone: 02 9675 4546 Fax: 02 9675 4570

E-mail: [nswsales@adsduct.com.au](mailto:nswsales@adsduct.com.au)

Web Site: [www.ductsystems.com.au](http://www.ductsystems.com.au)

1300 DUCT4U (1300 38 28 48)

