



Galvanised Pressed Bends

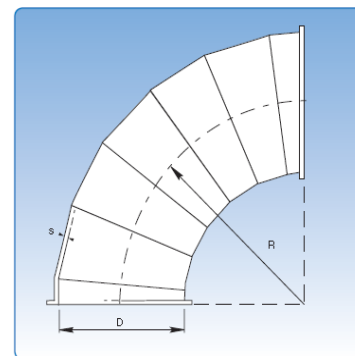
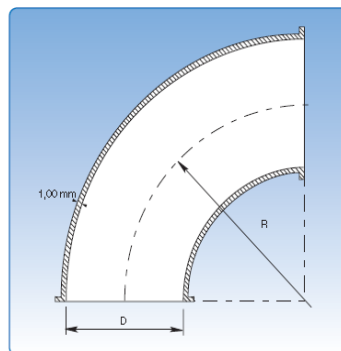
ADS's Pressed Bends are made from B500 quality sheet in sheet thickness 0.90-1.00mm. The sheet is hot-galvanised with a zinc coating of minimum 275g/m².

All diameter measurements are internal. The pressed bend reduces both pressure loss and wear.

Diameters 80-400mm are pressed

Diameters 450-1000mm are segmented

Galvanised Lobsterback Bends: 450mm+



Dimensional Specifications

R=1.5 x D for all dimensions

D mm	Part #	s mm	Weight 90° kg	Weight 60° kg	Weight 45° kg	Weight 30° kg	Weight 15° kg	Weight 7.5° kg
80	GPB080	1.00	0.44	0.24	0.20	0.12	0.10	0.10
100	GPB100	1.00	0.62	0.40	0.30	0.20	0.14	0.13
120	GPB120	1.00	0.80	0.60	0.40	0.30	0.15	0.10
125	GPB125	1.00	0.90	0.65	0.45	0.32	0.18	0.18
140	GPB140	1.00	1.10	0.80	0.55	0.40	0.24	0.20
150	GPB150	1.00	1.50	0.90	0.70	0.50	0.25	0.20
160	GPB160	1.00	1.70	1.10	0.80	0.50	0.30	0.29
180	GPB180	1.00	2.00	1.30	1.00	0.70	0.40	0.30
200	GPB200	1.00	2.50	1.85	1.25	1.00	0.50	0.35
225	GPB225	1.00	3.00	2.00	1.60	1.20	0.60	0.37
250	GPB250	1.00	4.00	3.00	2.00	1.50	0.75	0.50
275	GPB275	1.00	4.80	3.60	2.40	1.80	0.80	0.55
300	GPB300	1.00	5.50	4.10	2.90	2.00	0.90	0.60
315	GPB315	1.00	5.90	4.50	2.95	2.25	1.12	0.55
325	GLB325	1.00	6.50	4.60	3.50	2.40	1.25	0.80
350	GPB350	1.00	7.30	4.80	3.70	2.55	1.30	1.00
375	GLB375	1.00	10.00	6.00	5.00	3.50	1.55	1.15
400	GPB400	1.00	10.20	6.70	5.10	3.60	1.60	1.20
450	GLB450	0.90	12.00	9.00	6.00	4.50	2.25	1.10
500	GLB500	0.90	15.00	11.20	7.50	5.60	2.80	1.40
550	GLB550	0.90	18.00	13.50	9.00	6.80	3.40	1.70
600	GLB600	0.90	21.50	16.10	10.75	8.05	4.00	2.00
630	GLB630	0.90	22.40	16.80	11.20	8.40	4.20	2.10
650	GLB650	0.90	25.00	18.80	12.50	9.40	4.70	2.35
700	GLB700	0.90	29.00	21.80	14.50	10.90	5.40	2.70
750	GLB750	0.90	33.00	24.80	16.50	12.40	6.20	3.10
800	GLB800	1.00	37.50	28.10	18.75	14.05	7.00	3.50

Bends with dimensions other than those listed are available upon request.



3/11 Cooper Street, Campbellfield, Melbourne VIC 3061
 Phone: 03 8339 0894 Fax: 03 8339 0871
 E-mail: vicsales@adsduct.com.au
 1/595 Woodstock Avenue, Glendenning, Sydney NSW 2761
 Phone: 02 9675 4546 Fax: 02 9675 4570
 E-mail: nswsales@adsduct.com.au
 Web Site: www.ductsystems.com.au
 1300 DUCT4U (1300 38 28 48)

