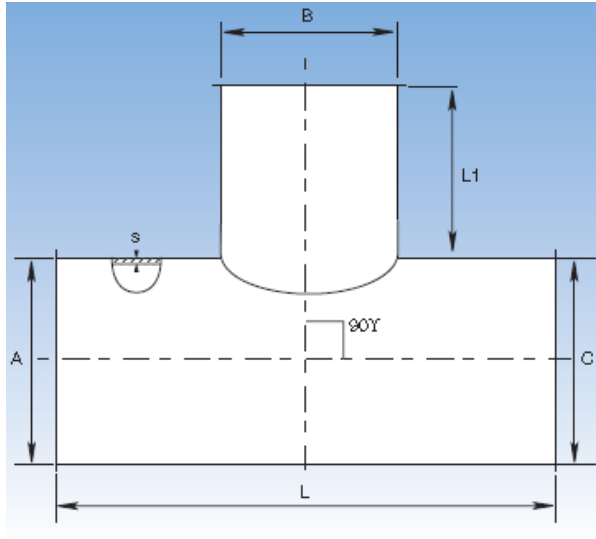


Advanced Duct Systems

Because Quality Matters

ABN: 15137674750

Galvanised 90° T Piece



ADS's Branch Pieces are made from 0.9mm galvanised sheet.

When placing an order, the measurements for A, B & C must be stated. **Please note that standard off the shelf items are all A=B=C**

Variations are available upon request and will be manufactured according to customer specifications

Diameter: 80-200mm

Dimensions

A	B	C	Part #	s (mm)	L (mm)	L1 (mm)
80	80	80	G9TP080	0.9	230	75
100	100	100	G9TP100	0.9	250	75
120	120	120	G9TP120	0.9	270	75
125	125	125	G9TP125	0.9	275	75
150	150	150	G9TP150	0.9	300	75
200	200	200	G9TP200	0.9	350	75

T Pieces with dimensions other than those listed are available upon request.



3/11 Cooper Street, Campbellfield, Melbourne VIC 3061

Phone: 03 8339 0894 Fax: 03 8339 0871

E-mail: vicsales@adsduct.com.au

1/595 Woodstock Avenue, Glendenning, Sydney NSW 2761

Phone: 02 9675 4546 Fax: 02 9675 4570

E-mail: nswsales@adsduct.com.au

Web Site: www.ductsystems.com.au

1300 DUCT4U (1300 38 28 48)

