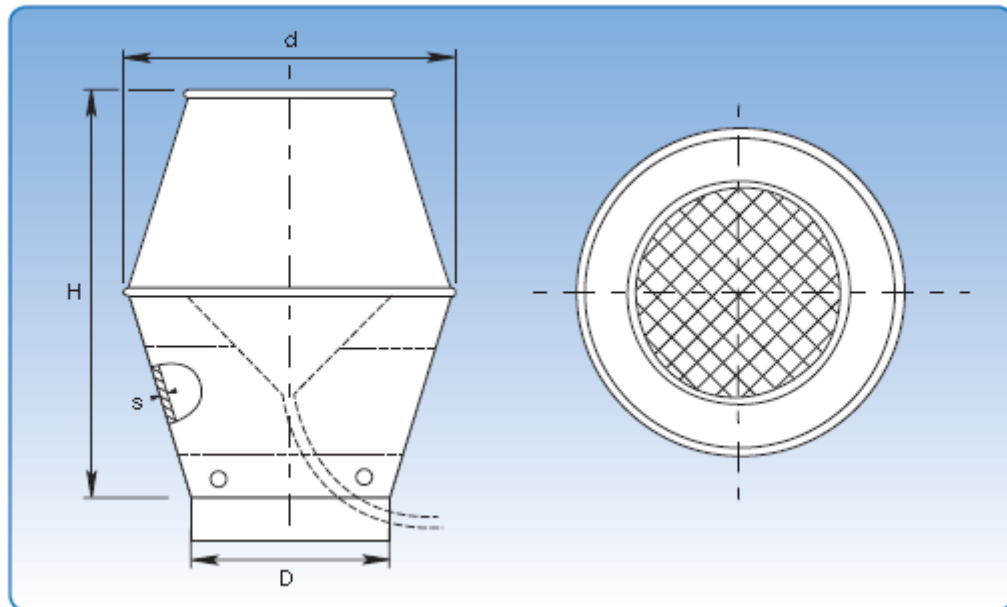




# Galvanised Jet Caps



ADS's Jet Caps are supplied with the same assembly methods as the duct systems.

The jet caps from 700-1000mm are as standard supplied with flange.

The jet caps are equipped with inside cone with water outlet.

**Diameters: 125-1000mm**

### Dimensional Specifications

D	Part #	d	s	H	Weight
mm		mm	mm	mm	kg
125	GJC125	195	0.75	340	3.50
150	GJC150	230	0.90	390	4.00
200	GJC200	305	0.90	490	4.00
250	GJC250	380	0.90	590	5.70
300	GJC300	460	0.90	690	8.00
350	GJC350	535	0.90	785	10.00
400	GJC400	610	0.90	885	15.00

**Jet Caps with dimensions other than those listed are available upon request.**



3/11 Cooper Street, Campbellfield, Melbourne VIC 3061

Phone: 03 8339 0894 Fax: 03 8339 0871

E-mail: [vicsales@adsduct.com.au](mailto:vicsales@adsduct.com.au)

1/595 Woodstock Avenue, Glendenning, Sydney NSW 2761

Phone: 02 9675 4546 Fax: 02 9675 4570

E-mail: [nswsales@adsduct.com.au](mailto:nswsales@adsduct.com.au)

Web Site: [www.ductsystems.com.au](http://www.ductsystems.com.au)

1300 DUCT4U (1300 38 28 48)

