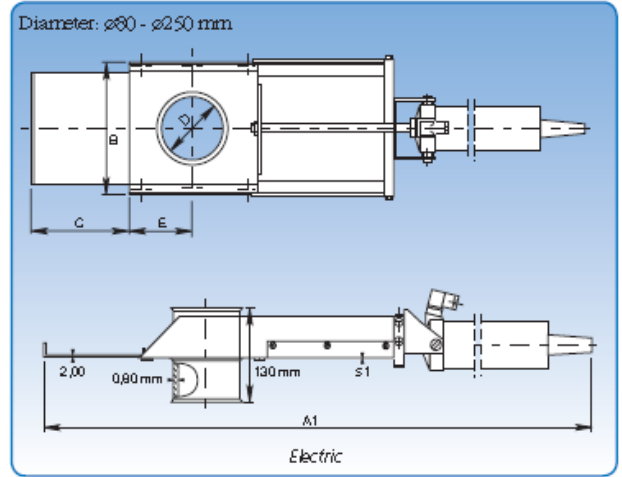
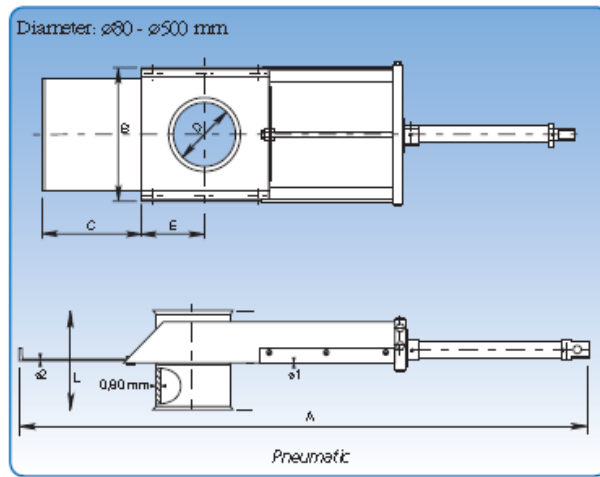


Slide Gate Galvanised Pneumatic/Electric

ADS's Slide Gates are made of 0.90mm galvanised sheet metal with a damper of 2mm galvanised sheet metal. Pneumatic pressure: 4-6 Bar. Damper is fitted with one pneumatic cylinder. Solenoid and setting switches for position indication available as optional extras.

With Electric Actuator

Damper is fitted with a 230V AC-50Hz electric shaft motor



Dimensional Specifications

D	Part #	Part #	s1	A	A1	B	C	C1	E	Weight Pneu.	Weight Electric
mm	Pneumatic	Electric	mm	mm	mm	mm	mm	mm	mm	Kg	kg
80	SGGP080	SGGE080	1.25	550	700	145	105	100	75	3.24	5.20
100	SGGP100	SGGE100	1.25	800	865	185	150	160	95	4.19	6.20
125	SGGP125	SGGE125	1.25	800	865	185	150	160	95	4.51	6.27
140	SGGP140	SGGE140	1.25	975	980	225	175	200	115	5.46	7.41
150	SGGP150	SGGE150	1.25	975	980	225	175	200	115	5.50	5.50
160	SGGP160	SGGE160	1.25	975	980	225	175	200	115	5.70	7.50
180	SGGP180	SGGE180	1.25	1180	1250	295	225	250	150	8.10	9.40
200	SGGP200	SGGE200	1.25	1180	1250	295	225	250	150	8.60	9.70
225	SGGP225	SGGE225	1.50	1365	1370	325	270	300	160	9.50	10.60
250	SGGP250	SGGE250	1.50	1390	1400	350	300	300	175	10.90	11.40
275	SGGP275		1.50	1725		380	325		190	12.77	
300	SGGP300		1.50	1750		400	345		205	14.40	
350	SGGP350		1.50	2000		450	435		200	16.90	
400	SGGP400		1.50	2150		500	460		250	19.60	
450	SGGP450		1.50	2225		550	500		275	23.90	
500	SGGP500		1.50	2575		600	550		300	27.80	



3/11 Cooper Street, Campbellfield, Melbourne VIC 3061

Phone: 03 8339 0894 Fax: 03 8339 0871

E-mail: vicsales@adsduct.com.au

1/595 Woodstock Avenue, Glendenning, Sydney NSW 2761

Phone: 02 9675 4546 Fax: 02 9675 4570

E-mail: nswsales@adsduct.com.au

Web Site: www.ductsystems.com.au

1300 DUCT4U (1300 38 28 48)

